

Time Allowed: 3 hrs

Max. Marks: 100

Instructions: Answer the questions according to the marks. Attempt all questions.

Q # 01. MCQ's.

(Marks 15)

- A. Teleconferencing in which participants see each other over video screens called _____.
- Video Conferencing
 - Tele Communication
 - Digital Conferencing
- B. In data flow diagram, actions perform on data are called _____.
- Process
 - Storing
 - Validation
- C. Information systems that rely on computer hardware and software for processing and disseminating information known as _____.
- Computer-Based Information System
 - Hardware-Based Information System
 - Electronic-Based Information System
- D. A discrete wave form that transmits data coded into two discrete states as 1-bits and 0-bits, which are represented as on-off electrical pulses; used for data communications called _____.
- Analog Signals
 - Digital Signals
 - Sound Waves
- E. The first microprocessor built by the Intel Corporation was called _____.
- 8008
 - 8080
 - 8800
- F. The following storage units are listed in order of increasing size. Fill in the missing item.
bit, byte, _____, megabyte, gigabyte
- G. The process of converting a message into meaningless text for security is called _____.
- Encoding
 - Encryption
 - Decryption
- H. Formal rules for accomplishing tasks that have been developed to cope with expected situation in an organization, called _____.
- Operations Policy
 - Standard Operating Procedures
 - Procedures to follow
- I. A business management system that integrates all facets of the business including planning, manufacturing, sales and finance so that they can become more coordinated by sharing information with each other known as _____.
- Enterprise Resource Planning
 - Application Software
 - Computer-based system

- J. The use of digital technologies such as electronic funds transfer, credit cards, smart cards, debit cards and internet-based payment systems to pay for products and services electronically called _____.
- E-commerce
 - E-banking
 - E-solution
- K. A continuous waveform that passes through a communication medium; used for voice communication called _____.
- Analog Signals
 - Digital Signals
 - Sound Waves
- L. Highly trained technical specialists who write computer software instruction known as _____.
- System Analyst
 - Programmer
 - System Administrator
- M. A secure connection between two points across the internet to transmit corporate data provides a low-cost alternative to a private network known as _____.
- Internet Service Provider
 - Virtual Private Network
 - Value Added Network
- N. The process of creating small stable data structures from complex groups of data when designing a relational database called _____.
- Data Structure
 - Normalization
 - Tables
- O. A tool for locating specific sites or information on the internet called _____.
- World wide web
 - Internet explorer
 - Search engine

Q # 02. Mark True or False.

(Marks 15)

1. A dumb terminal has an embedded microprocessor, extensive memory, independent processing capability, a keyboard and screen.
2. Capture or collection of raw data into computer-based system known as input.
3. The purpose of storage device is to process data.
4. Processing speed can also be measured in Analog.
5. One of the most important factors effecting the speed and power of a computer is TCP / IP.
6. ALU is a part of microprocessor.
7. Data registers are the part of Micro Processor.
8. Computer is a group of electronic devices, used to process data.
9. MS- Windows 2000 is a kind of system software.
10. Data that have been shaped into a form that is meaningful and useful to human beings called system analyst.
11. Relative Data Base Management Support is also known as RDBMS.
12. Software that controls the overall activity of a computer known as system software or operating software.
13. Hard Disk also known as secondary storage.
14. Low Level Language is more like human language.
15. Assembly is a good example of low level language.

Q # 03. (i) Define the following systems

- a. Transaction Processing System (TPS)

(Marks 02)

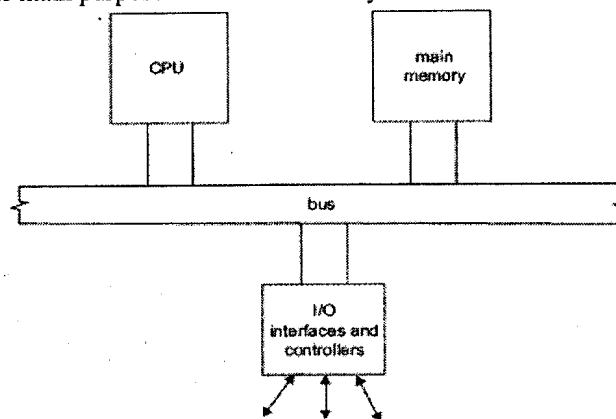
- b. Decision Support System (DDS) (Marks 02)
- c. Executive Support System (ESS) (Marks 02)
- d. Expert System (ES) (Marks 02)
- (ii) Describe a parallel changeover method for implementing an information system. (Marks 03)

- Q # 04. (i) Name two (2) components of an Information System. (Marks 02)
- (ii) Explain the role of the "System Analyst" in an Information System. (Marks 05)
- (iii) The web server will be connected to the existing network and Deon must choose the most appropriate network protocol for the new system. (Marks 02)
- a. What is the most appropriate protocol for the new system. (Marks 02)
- IPX/SPX
 - TCP/IP
 - MUSIC/CD
 - NETBEUI
 - HTTP
- b. Explain why this (whatever you choose) is the most appropriate protocol. (Marks 02)

- Q # 05. (i) Draw a diagram of a **star** network topology suitable for a small business using four workstations, a printer, a scanner and a file server. Clearly label each item of hardware. (Marks 03)
- (ii) Differentiate between Simplex, Half-Duplex & Full-Duplex. (Marks 03)
- (iii) To successfully network computers a protocol must be used. What is meant by the term protocol? (Marks 03)

- Q # 06. (i) System changeover methods are shown below. Describe **one** advantage and **one** disadvantage of each method. (Marks 06)
- a) Direct Method
 - b) Phased Method
 - c) Parallel Method

- (ii) The diagram below shows the basic architecture of the computer system. (Marks 03)
- State the main purpose of the bus in this system.



- Q # 07. (i) Define System Development Life Cycle (SDLC), in detail. (Marks 10)
- (ii) What do you understand by Management Information System (MIS)? (Marks 05)

- Q # 08. Write a short note on the following, (Marks 03)
- a. Batch Processing (Marks 03)
 - b. Online Processing (Marks 03)
 - c. Data (Marks 03)
 - d. Information (Marks 03)
 - e. Process (Marks 03)